

STB2200 OEM Pressure Transmitter



DESCRIPTION

STB2200 series pressure transmitter is a stainless-steel pressure transducer / transmitter for use in hazardous areas. In addition to its rugged construction and best price-to-performance ratio in the industry, STB2200 series is the solution for pressure measurement for a variety of applications.

VALUE TO CUSTOMERS

- High cost performance
- High Strength Stainless Steel Construction
- Unparalleled Price and Performance
- Wide Operating Temperature
- Compatible with Wide Variety of Liquids and Gases

POTENTIAL APPLICATIONS

- Refrigeration
- Water Management
- Industrial OEM Equipment
- Pressure Instrumentation
- Gas Compression & Storage
- Automotive electronics



WARNING PERSONAL INJURY

DO NOT USE these products as safety or emergency stop devices or in any other application where failure of the product could result in personal injury.

Failure to comply with these instructions could result in death or serious injury.

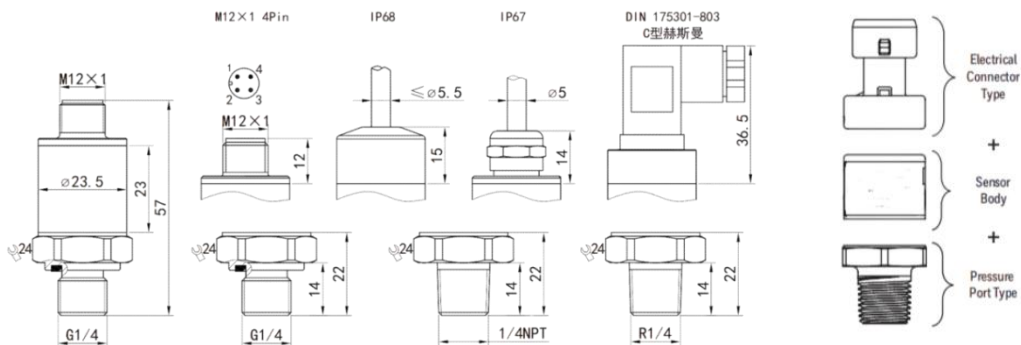


All potential use in aerospace, medical, transportation, agriculture, refrigeration, and industrial applications. To view the entire product portfolio, click our company's website.

PERFORMANCE SPECIFICATIONS

Pressure range	-0.1-0-60MPa (Customizable)
Pressure Accuracy	± 0.25%FS、 ± 0.5%FS、 ± 1.0%FS
Output	4-20mA、 0-5V、 1-5V、 0-10V、 0.5-4.5V
Excitation	5VDC、 24VDC、 9-36VDC
Load Resistance	Current type: $R = (\text{Supply Voltage} - 8V) / 0.02 \Omega$
Compensated Temp. Range	0°C to 80°C (32°F to 176°F)
Operating Temp. Range	-40°C -100°C (-40.000°F to 212°F)
Proof pressure	150%
Burst pressure	200%
Temperature drift	± 0.02%FS/°C
Long term stability	± 0.2%FS/year
Pressure port types	G1/4、 1/4NPT、 R1/4、 G1/8 (Customizable)
Electrical connector types	Packard、 Hirschmann、 M12、 Cable harness(1 m, 2 m, 3 m, or 5 m) (Customizable)
Housing	304/316 stainless steel, Ceramic

ELECTRICAL CONNECTOR TYPE DIMENSIONS



Beijing Stablesens Technology Co., Ltd.

Website: www.stablesens.com

Mail: sales@stablefa.com

Tel: 86-10-56676110

Room 1809, Building 61, No. 2 Jingyuan North Street, Beijing Economic-Technological Development Area, Beijing, China