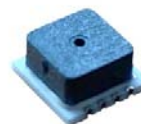


SAS14 Series
Dual In Line Package
mV Output, Temperature Compensated
Current Supply



DESCRIPTION

Stablesnes International SAS14 Series contains a piezo resistive sensor element that delivers a high level mV output in a low cost, small footprint, leadless castellation package. This low profile sensor is available in narrow hole, single tube, and wide hole with gel to ensure isolation from the pressure media. The closed bridge sensor delivers a stable mV output in absolute and gauge pressures in both psi and inH2O ranges. The sensor high input impedance and wide supply voltage allow the sensor to be used in low power battery applications. The SAS14 series small leadless package, many port configurations

APPLICATIONS

- Pneumatic controls
- Automotive diagnostics
- Medical equipment/instrumentation
- Air Speed and Altitude
- Environmental controls
- Barometric pressure measurement
- Factory Automation
- Process Controls

FEATURES

- Small size
- inH2O or PSI Ranges
- Wide selection of ports
- Absolute or gage pressures
- High-impedance bridge
- Low power consumption

SPECIFICATIONS	Symbol	Min	Typical	Max	Unit	Note
Performance Characteristic						
Supply Voltage		1.8V	3.0	12.0	V	
Bridge Resistance		2200		6100	Ω	
Zero Pressure Offset		-30	8	+30	mV	
Pressure Non Linearity		-0.1		+0.1	%FSS	2
Hysteresis & Repeatability			0.05		%FSS	
Full Scale Span	FSS	See Table 1.			%FSS	4
Temperature Coefficient Resistance		2300	+2800	3100	ppm/ $^{\circ}$ C	3
Temperature Coefficient Sensitivity		-2100	-1800	-1400	ppm/ $^{\circ}$ C	3
Temperature Coefficient Offset			0.10		%FSS/ $^{\circ}$ C	3
Temperature Hysteresis, Offset & Span		-0.20		+0.20	%FSS	3
Long Term Stability, Offset & Span			\pm 0.4		%FSS	4
Weight				0.3	grams	
Operating Temperatures			-40 to 125		$^{\circ}$ C	
Operating Temperatures			-40 to 125		$^{\circ}$ C	

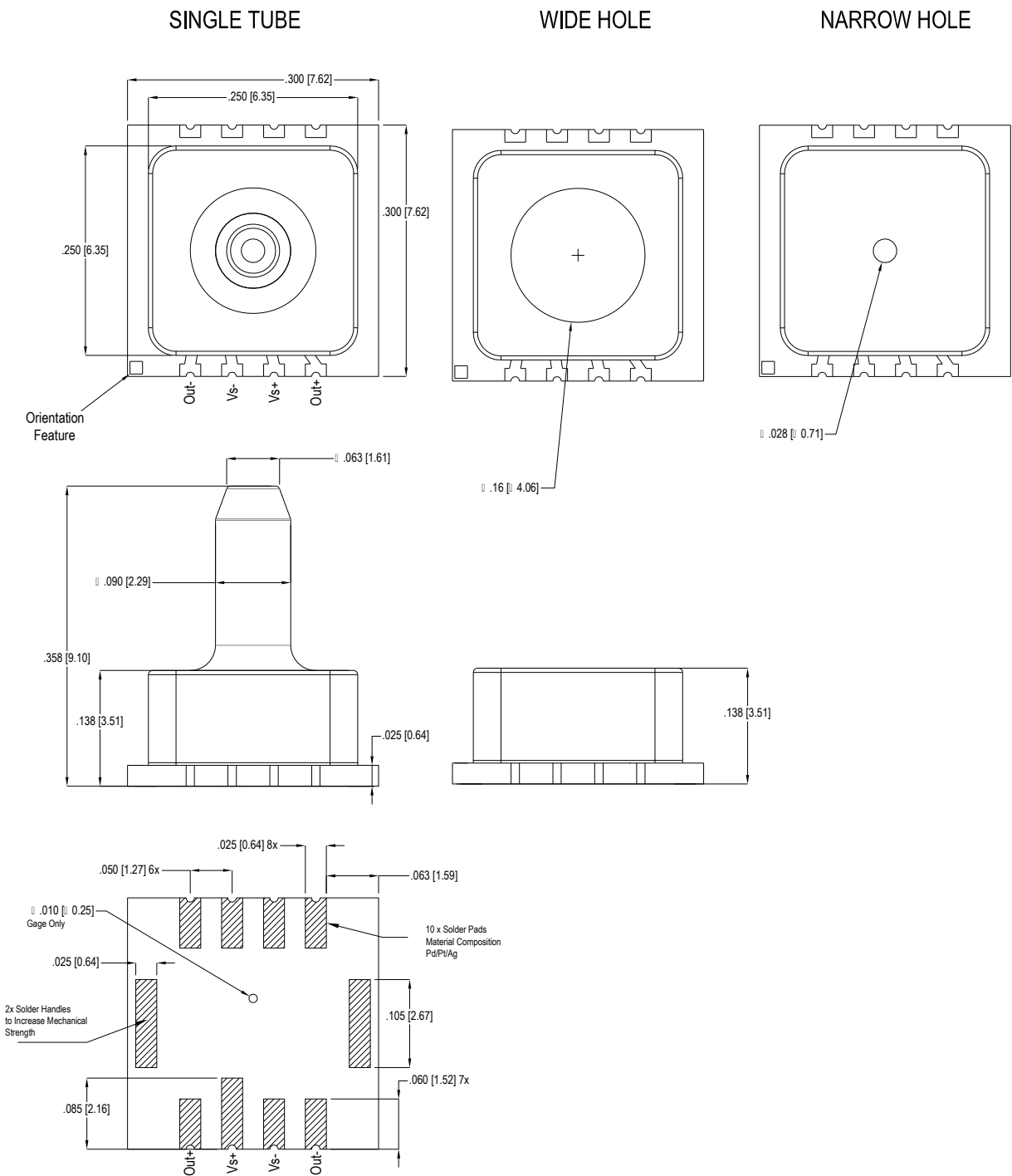
SPECIFICATIONS	Symbol	Min	Typical	Max	Unit	Note
Absolute Maximum Conditions						6
Supply Voltage				15	V	
Storage Temperature		-50		150	°C	
Overage Pressure						
Proof				5x	Range	
Burst						10x
Media Compatibility		Non Ionic, Non Corrosive Gases				
Wetted Materials		Ceramic, LCP, Epoxy, RTV, Silicon, Gold, Aluminum, Palladium Silver				
Media Compatibility		Non Ionic, Non Corrosive Gases				

SPECIFICATIONS	Range	Min	Typical	Max	Unit	Note
Full Scale Span (inH2O Ranges)	5	18.0	33.0	50	mV	
	10	18.0	33.0	50	mV	
	20	18.0	33.0	50	mV	
	30	60.0	90.0	120	mV	
Full Scale Span (PSI Ranges)	5	54.0	66.0	80.0	mV	
	15	54.0	66.0	80.0	mV	
	30	57.0	69.0	80.0	mV	
	50	60.0	75.0	90.0	mV	
	100	75.0	96.0	108.0	mV	
	150	60.0	75.0	90.0	mV	
	300	75.0	96.0	108.0	mV	

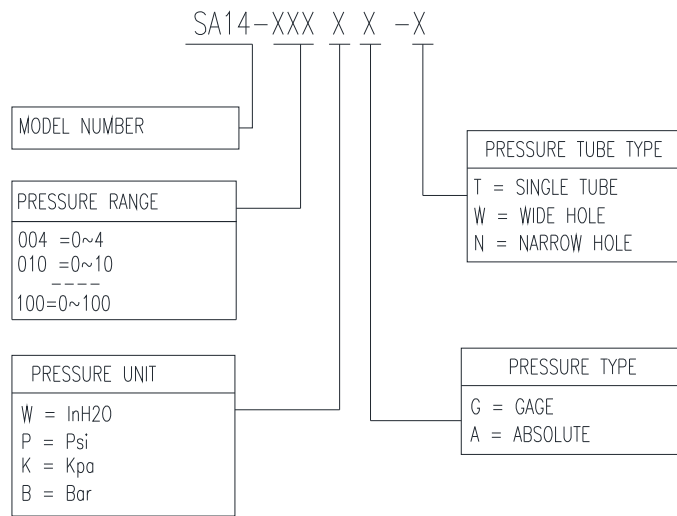
Reference Conditions: V_{supply}: 3.00Vdc, T_a=25°C.

1. All specification at reference conditions unless otherwise noted. Output is ratio metric to supply voltage.
2. ½ Terminal Base Non Linearity (Measured at 0, 50% and 100% FS).
3. Deviation between 70°C and 0°C expressed as percentage of reading at 25°C.
4. Deviation after 1 year period measured at reference conditions.
5. Measured over the temperature range of 70°C and 0°C.
6. Exceeding Absolute Maximum Specification may damage the device. Extended exposure beyond the operating conditions may affect device reliability.

MECHANICAL DIMENSIONS in [mm]



PART NUMBERING FOR ORDERS



Part Number Example: SAS14-005WG-T 0~5 InH2O Gauge, Single port, SAS14 Product

WARRANTY

Pressure sensors have a limited one-year warranty to the original purchaser. Stablesnes International will repair or replace, at its option, without charge those items it finds defective. This is the buyer s sole remedy and is in lieu of all other warranties, expressed or implied, including those of merchantability and fitness for a particular purpose. In no event shall Stablesnes International be liable for consequential, special, or indirect damages. This warranty does not apply to units that have been modified, misused, neglected or installed where the application exceeds published ratings. Specifications may change without notice. The information supplied is believed to be accurate and reliable as of this printing, however, we assume no responsibility for its use.