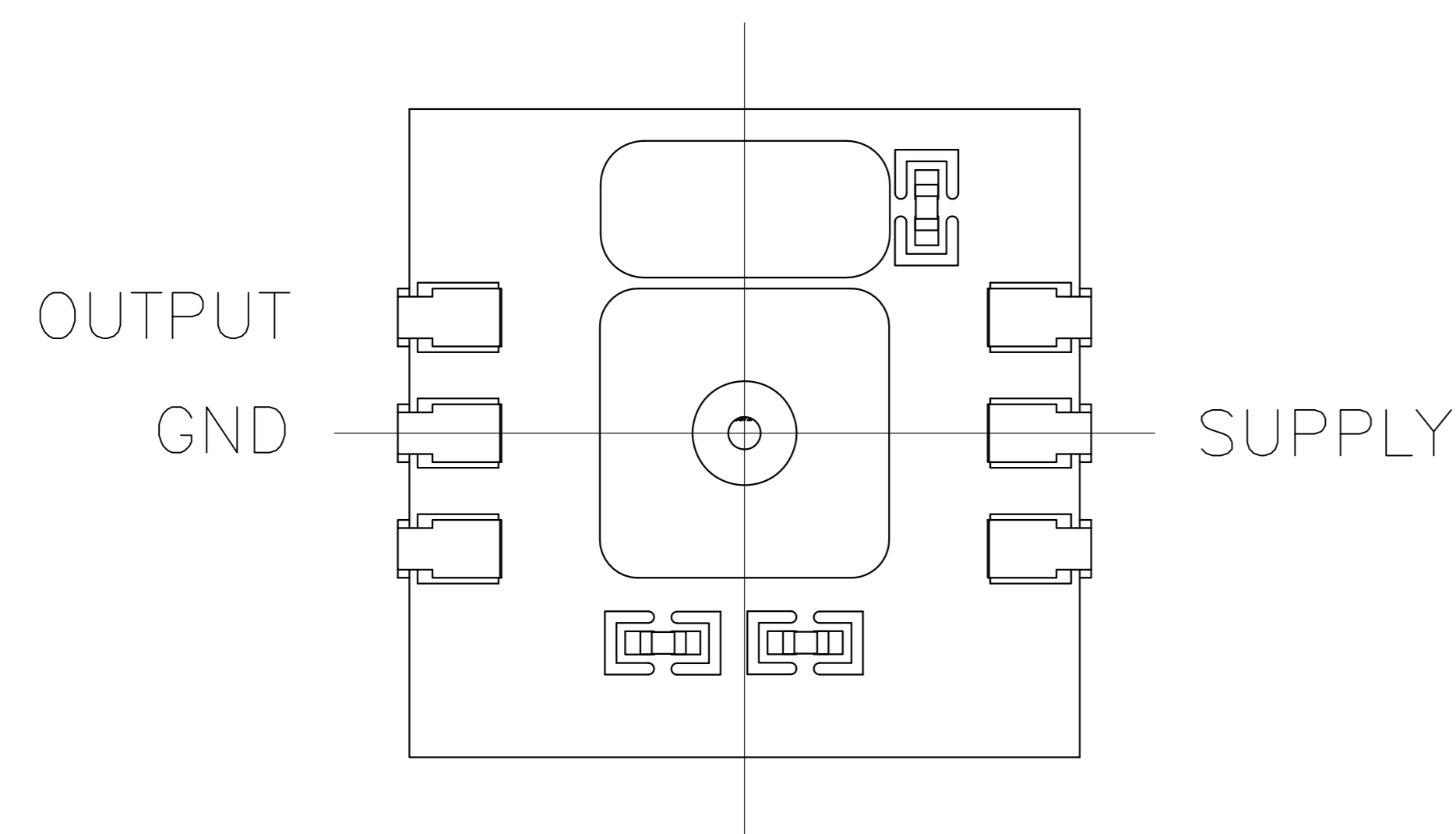
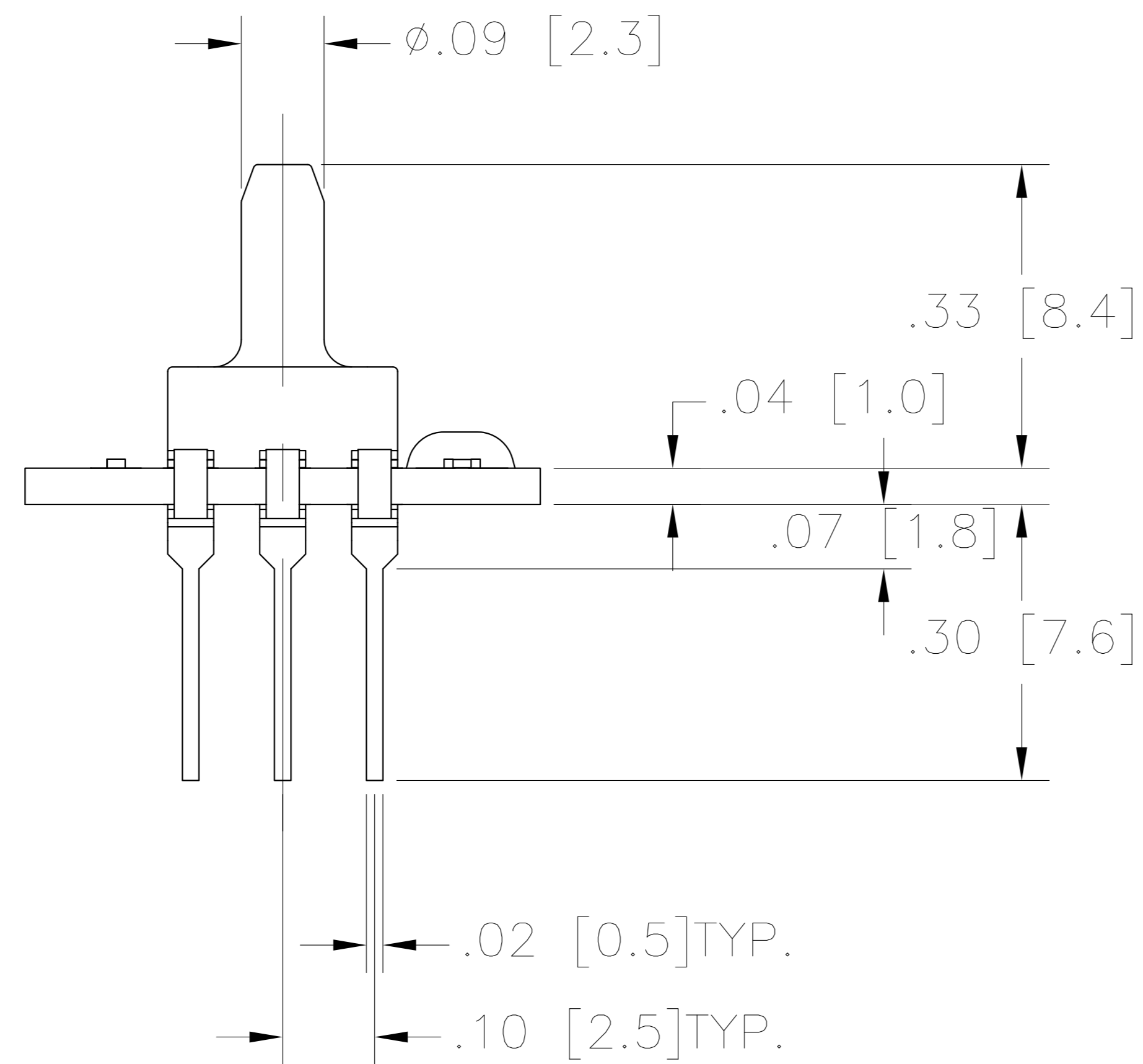
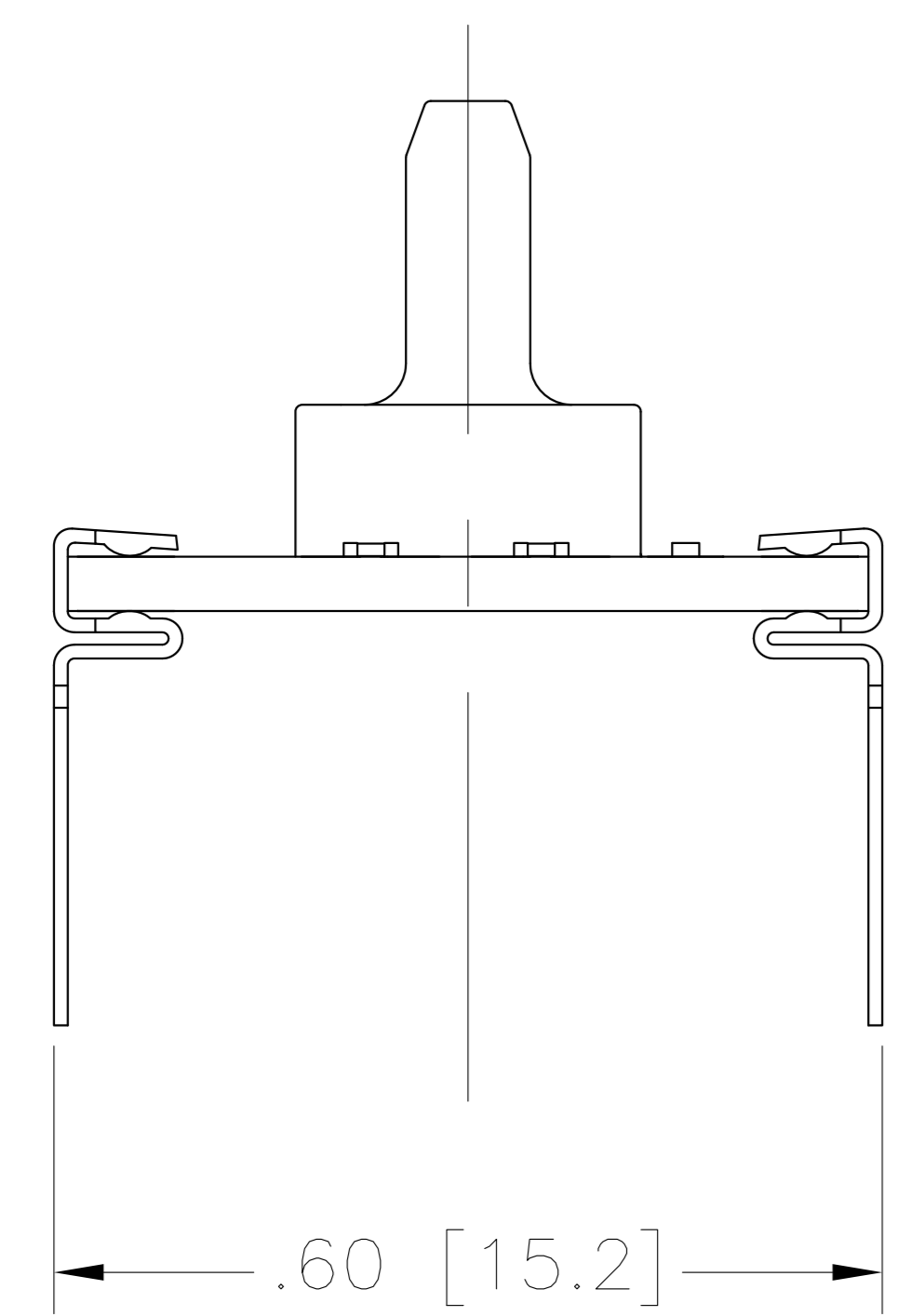
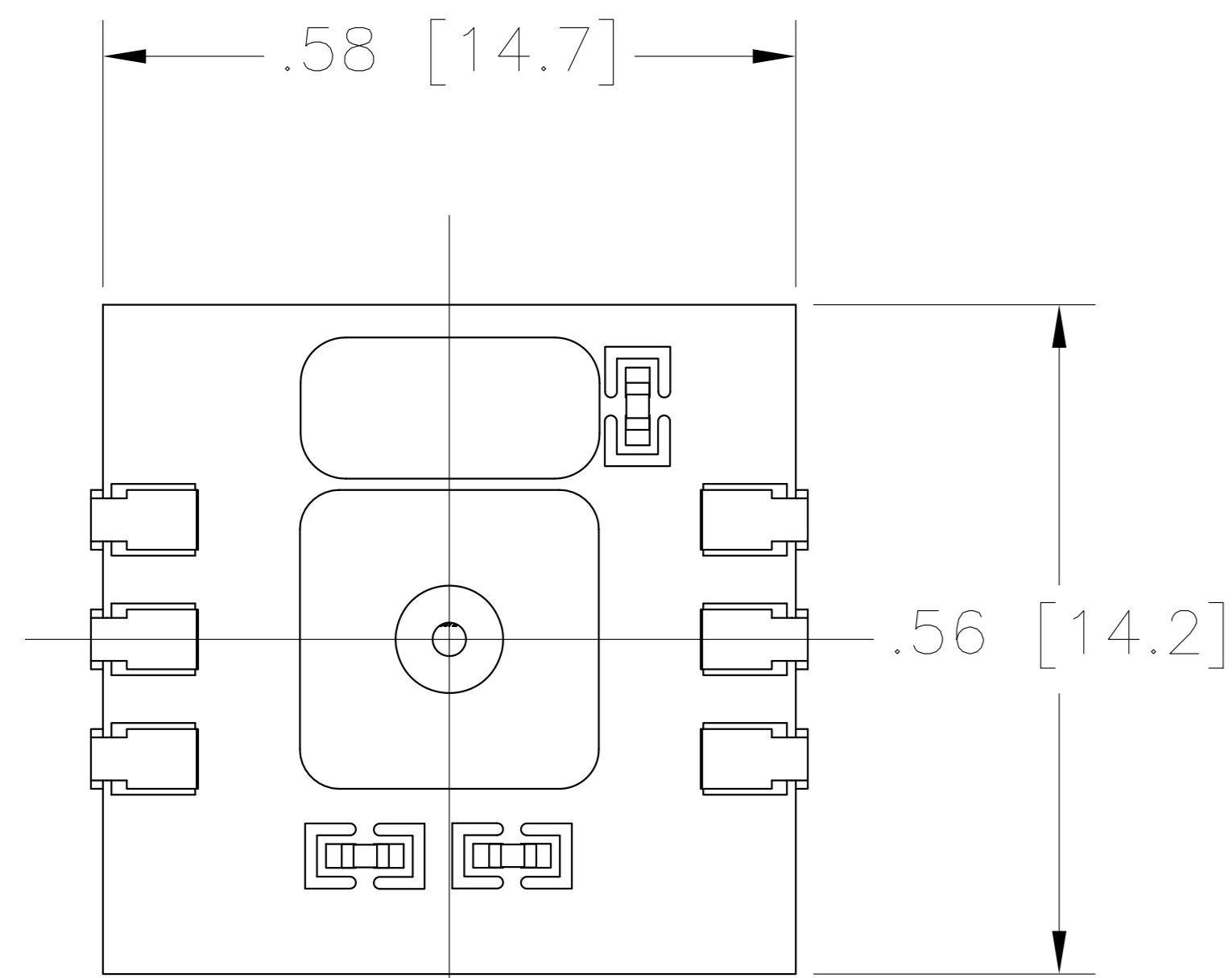


Model SA1551-PSZ-XXXYP

Doc No.: SA1551
(Rev A/ 19.Feb.2020)
Sh 1 of 2

DIMENSIONS ARE IN INCHES [mm]
TOLERANCES:
ANGULAR: $\pm 5^\circ$
TWO PLACE DECIMAL $\pm .01$ [0.25]
THREE PLACE DECIMAL $\pm .003$ [0.08]

SUPPLY VOLTAGE: 5.0V
AMBIENT TEMPERATURE: 25°C (UNLESS OTHERWISE SPECIFIED)

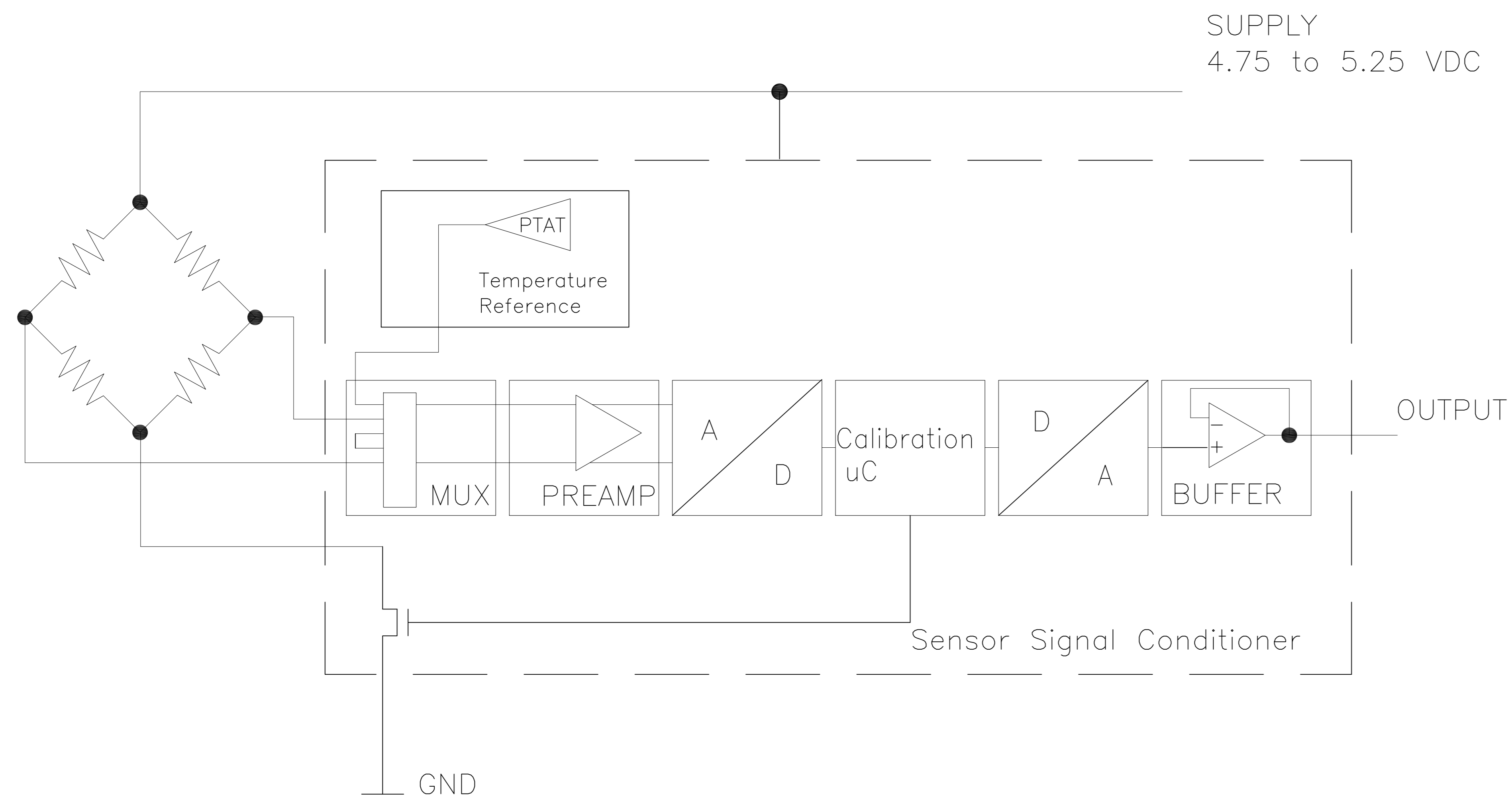


Model SA1551-PSZ-XXXA/GP

PARAMETERS	MIN	TYP	MAX	UNITS	NOTES
OUTPUT	0.500	-	4.500	V	1
	0.250	-	4.750	V	
ACCURACY	-0.25	-	0.25	% SPAN	2
TOTAL ERROR BAND	-2%	-	+2%	% SPAN	3
INPUT VOLTAGE RANGE	4.75	-	5.25	V	
QUIESCENT CURRENT	-	3	-	mA	
BURST PRESSURE	3X	-	-	RATED	
COMMON MODE PRESSURE	-	-	3X	RATED	
LONG TERM STABILITY (OFFSET & SPAN)	-	± 0.5	-	% SPAN	4
COMPENSATED TEMPERATURE	0	-	+60	$^\circ\text{C}$	
OPERATING TEMPERATURE	-10	-	+85	$^\circ\text{C}$	
STORAGE TEMPERATURE	-25	-	+105	$^\circ\text{C}$	
HUMIDITY	-	-	95	RH	
WEIGHT	-	-	3	GRAMS	
SOLDER TEMPERATURE	250 $^\circ\text{C}$ MAX 5 SEC.				
MEDIA	NON-CORROSIVE DRY GASES				

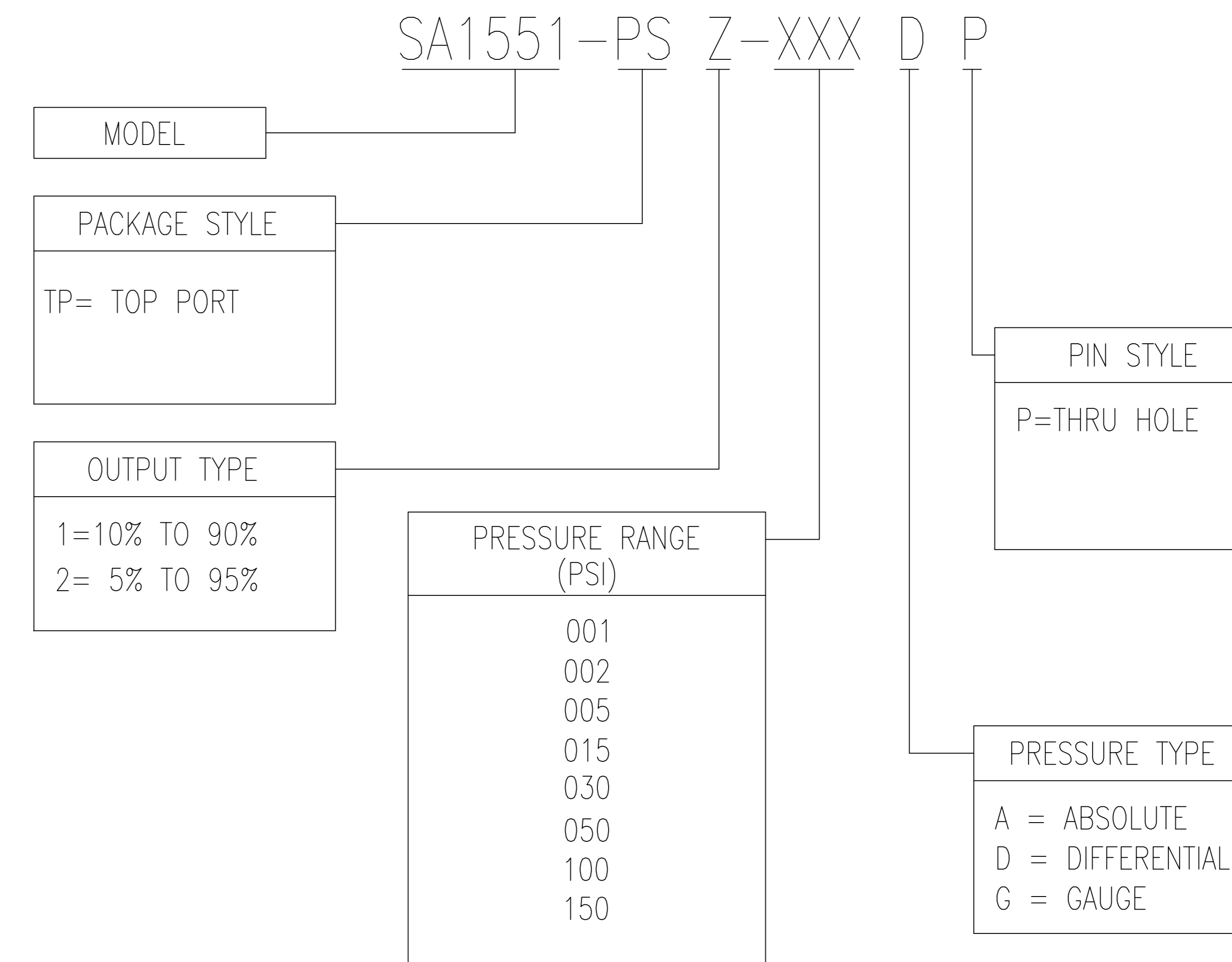
** SEE SHEET 2 FOR NOTES **

Model SA1551-PSZ-XXXYP



APPLICATION SCHEMATIC

ORDERING INFORMATION



NOTES

1. RATIO METRIC TO SUPPLY VOLTAGE.
2. ACCURACY: THE MAXIMUM DEVIATION FROM A BEST FIT STRAIGHT LINE (BFSL) FITTED TO THE OUTPUT MEASURED OVER THE PRESSURE RANGE AT 25°C. INCLUDES ALL ERRORS DUE TO PRESSURE NON LINEARITY, PRESSURE HYSTERESIS, NON-REPEATABILITY.
3. TOTAL ERROR BAND INCLUDES ALL ACCURACY ERRORS, THERMAL ERRORS OVER THE COMPENSATED TEMPERATURE RANGE, SPAN AND OFFSET CALIBRATION TOLERANCES.
4. LONG TERM STABILITY OVER A ONE YEAR PERIOD WITH CONSTANT VOLTAGE AND TEMPERATURE.
5. PRESSURE CONNECTION: BARBED PORTS ARE DESIGNED FOR USE WITH TUBING 1/16" ID, 60-70A DUROMETER (PVC).
6. DEVICE MARKING: EACH DEVICE IS MARKED COMPLETE WITH MODEL NUMBER, LOT NUMBER AND SERIAL NUMBER (LLLL SSSS), AND DATE CODE (YYWW)