

8

7

6

5

4

3

2

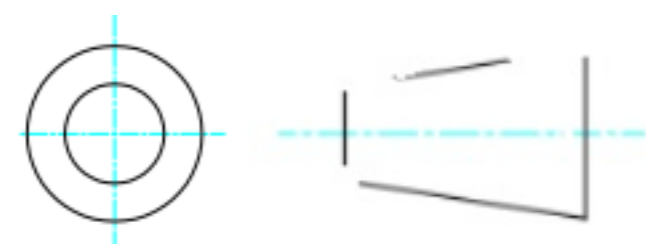
1

SAS5653

Rev A/ 18.Feb.2020
SHEET 1 OF 1

UNLESS OTHERWISE SPECIFIED, DIMS ARE IN MILLIMETERS

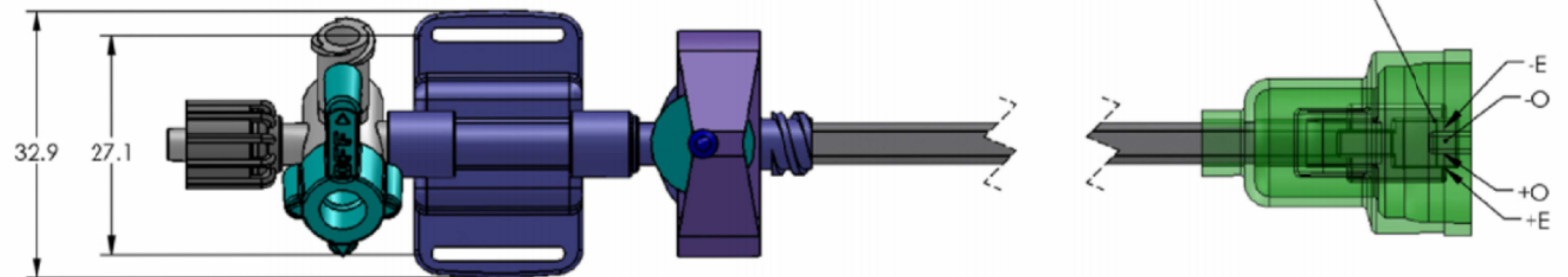
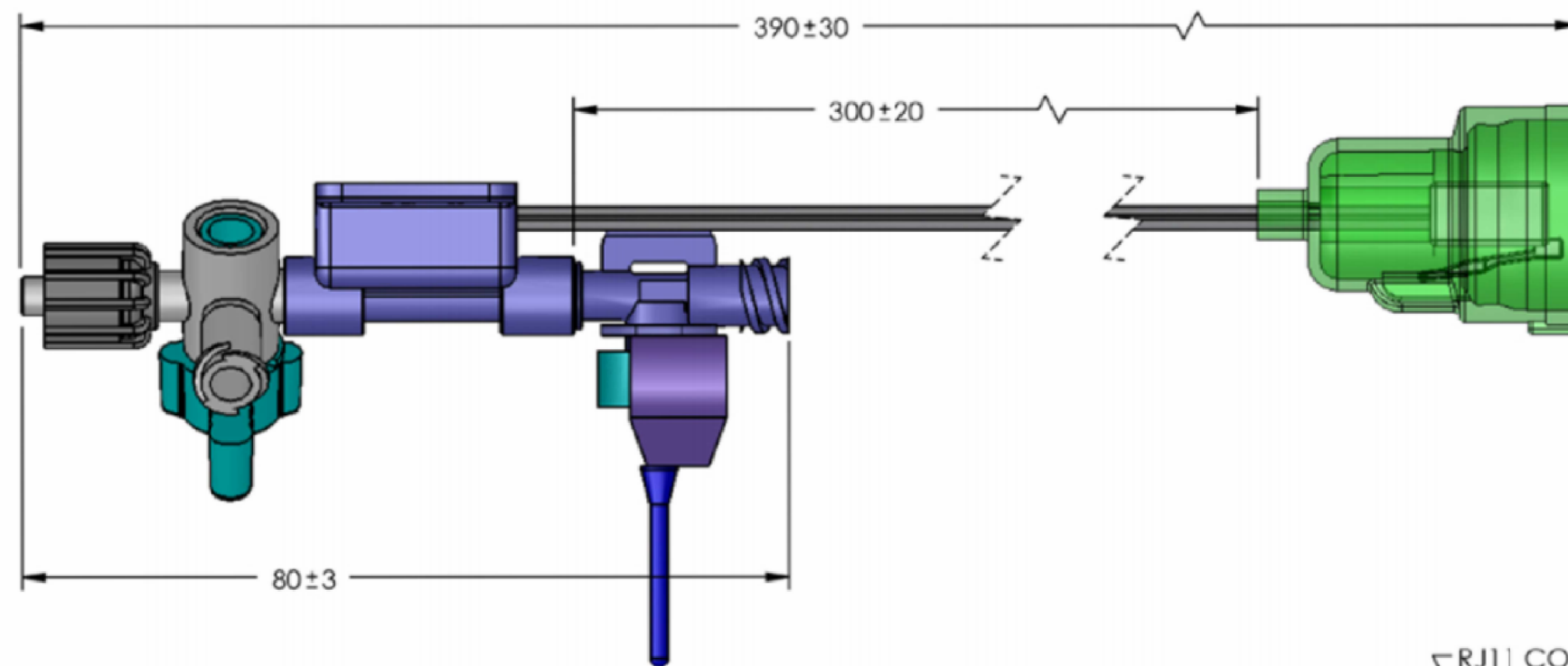
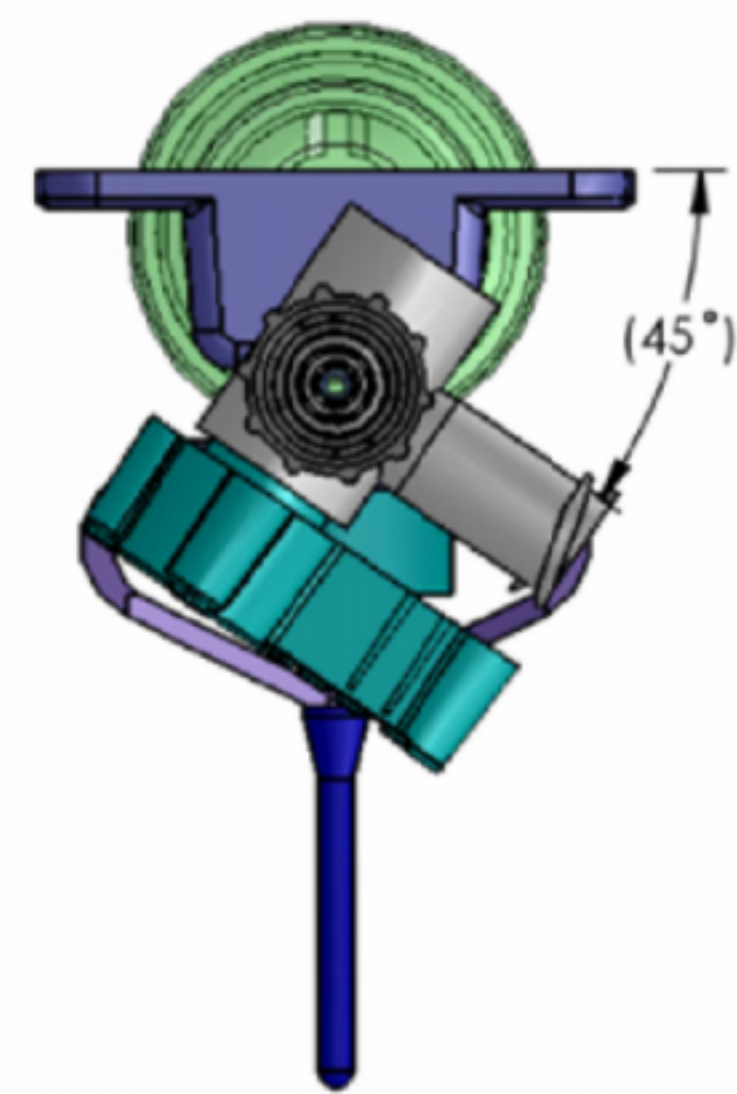
THIRD ANGLE PROJECTION



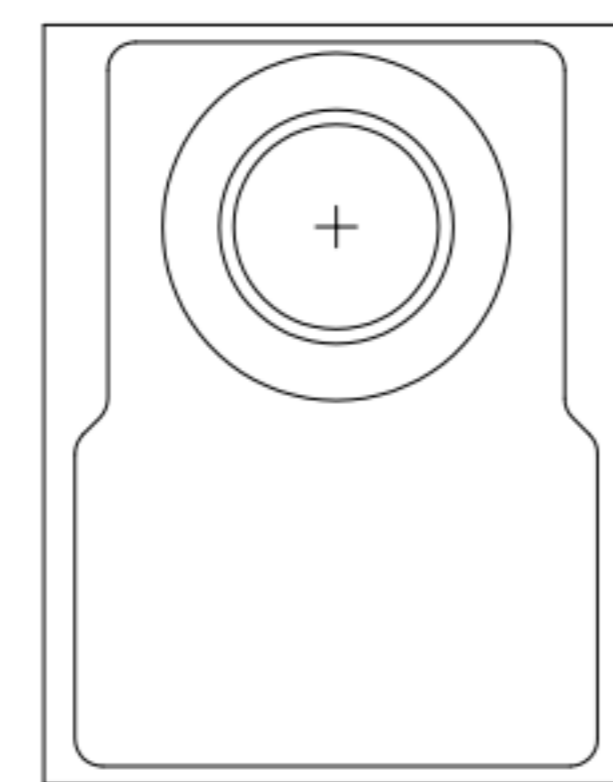
TOLERANCES:

XX = .01 [0.3]
.XXX = .003 [0.08]
ANGLES = 1/2°

SUPPLY VOLTAGE: 6.0 VDC AMBIENT TEMPERATURE: 25C (UNLESS OTHERWISE SPECIFIED)					
PARAMETERS	MIN	TYP	MAX	UNITS	NOTES
OPERATING PRESSURE RANGE	-50	-	300	mmHg	
OVERPRESSURE	5000	-	-	mmHg	
ZERO PRESSURE OFFSET	-4	-	+10	mmHg	
SENSITIVITY	4.9	5.0	5.1	uV/V/mmHg	
CALIBRATION	97.5	100	102.5	mmHg	1
ACCURACY (0 TO 200 mmHg)	-	-	2.5	% SPAN	2
INPUT IMPEDANCE	1.2K	-	3.2K	Ω	
OUTPUT IMPEDANCE	285	-	800	Ω	
SUPPLY VOLTAGE	2	6	10	VDC	
OFFSET DRIFT	-	-	2	mmHg	3
THERMAL SHIFT, SPAN	-	-	±0.1	% /°C	4
THERMAL SHIFT, OFFSET	-	-	±0.3	mmHg /°C	4
PHASE SHIFT (@ 5 kHz)	-	-	5	DEGREES	
STERILIZATION (ETO)	3	-	-	CYCLES	5
OPERATING TEMPERATURE RANGE	+10	-	+40	C	
STORAGE TEMPERATURE RANGE	-25	-	+70	C	
OPERATING PRODUCT LIFE	96 HOURS				
SHELF LIFE	3 YEARS				6
MEDIA INTERFACE	DIELECTRIC GEL				



SENSOR DETAIL



SA5650

NOTES: UNLESS OTHERWISE SPECIFIED

- PRESSURE RANGE CAN BE CUSTOMIZED UP TO 100PSIG
- OUTPUT OF SENSOR WITH NO PRESSURE APPLIED AND A SPECIFIC RESISTOR SHORTED ACROSS +VIN TO +VOUT.
- INCLUDING LINEARITY (BEST FIT STRAIGHT LINE).
- OVER AN 8 HOURS TIME PERIOD AFTER A 10 MINUTE WARM-UP.
- OVER TEMPERATURE RANGE: +5 C TO +50°C.
- STERILIZATION SHALL BE PERFORMED BY CUSTOMER.
- SHELF LIFE GUARANTEED FOR SENSOR. WHEN PACKAGED, SHELF LIFE AFTER STERILIZATION IS TESTED BY CUSTOMER.
- LEAKAGE WITH FULL PACKAGE: 0.35 mmHg/ 0s @ 300 mmHg (SAME AS 2mmHg/min).
- () DESIGNATE REFERENCE DIMENSIONS.
- PRODUCT DESCRIPTION: THIS IS SA5650 SENSOR DISPOSABLE BLOOD PRESSURE SENSOR HOUSING PACKAGED WITH CABLE. CABLE CONNECTOR CAN BE CUSTOMIZED AS CUSTOMER REQUIRED
- CUSTOMER INFORMATION: SHOWN FOR EACH SPECIFIC CUSTOMER

APPROVAL

APPROVAL		
_____ SIGNATURE (CUSTOMER)	_____ PRINT NAME	_____ DATE
_____ SIGNATURE (SENSORALL)	_____ PRINT NAME	_____ DATE