



Beijing stablesens

STB3500 Submerged Level Transmitter

DESCRIPTION

The STB3500 series submersible level transmitters adopt a full stainless steel monolithic structure, featuring a solid full stainless steel construction with no moving parts to ensure long-term operation without leakage. The front water inlet cap protects the sensor. This product uses specially designed air-guiding cable, ensuring that liquid level measurements are unaffected by changes in external atmospheric pressure. It offers high measurement accuracy and excellent long-term stability, and is widely used for liquid level measurement and control in petroleum, water conservancy, urban water supply, groundwater, reservoirs, and containers.

VALUE TO CUSTOMERS

- All-stainless steel structure, moisture-proof and leak-proof

- Exhibits excellent long-term stability and a prolonged service life
- 2088 junction box, with on-site display capability
- Waterproof and breathable cable, durable and tensile-resistant

POTENTIAL APPLICATIONS

- Water tower, water tank
- petrochemical engineering, petrochemical industry
- Urban water supply, groundwater
- Level Monitoring of Open Irrigation Systems



WARNING

PERSONAL INJURY

DO NOT USE these products as safety or emergency stop devices or in any other application where failure of the product could result in personal injury. Failure to comply with these instructions could result in death or serious injury.

All potential use in

aerospace, medical, transportation, agriculture, refrigeration, and industrial applications. To view the entire product portfolio, click our company's website.

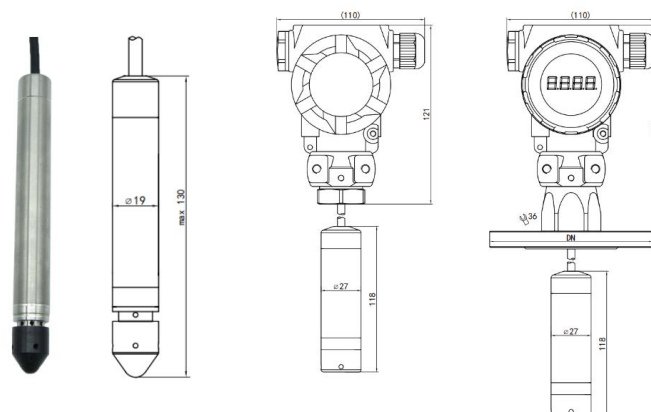
Website: www.stablesens.com

Mail: sales@stablefa.com

PERFORMANCE SPECIFICATIONS

| | | | |
|----------------------------|---|-----------------------|------------|
| Range | 0-2m-200m H2O (Customizable) | | |
| Pressure Accuracy | ± 0.5%FS、 ± 1.0%FS | | |
| Output | 4-20mA、 0/1-5/10V、 0.5-4.5V、 RS485、 HART、 SDI-12 | | |
| Excitation | 5VDC、 24VDC、 9-30VDC | | |
| Load Resistance | Current type: $R=(\text{Supply Voltage}-8V)/0.02 \Omega$ | | |
| Compensated Temp. Range | 0-75°C | Operating Temp. Range | -10-85°C |
| Proof pressure | 150% | Burst pressure | 200% |
| Temperature drift | ± 0.02%FS/°C | Long term stability | ± 0.2%FS/年 |
| Pressure port types | Immersible type, flange installation, threaded connection(Customizable) | | |
| Electrical connector types | Direct connection; 2088 junction box.(Customizable) | | |
| Housing | stainless steel 304、 316L | | |

ELECTRICAL CONNECTOR TYPE DIMENSIONS



Beijing Stablesens Technology Co., Ltd.

Tel: 86-10-56676110

Room 1809, Building 61, No. 2 Jingyuan North Street, Beijing Economic-Technological Development Area, Beijing, China