



Beijing stablesens

STB4300 Temperature Transmitter

DESCRIPTION

The STB4300 series temperature transmitters are enclosed in a stainless steel housing, featuring a compact size, excellent waterproof and shockproof performance, and high safety and reliability. The product converts thermoresistor signals into standard current and voltage output signals through a transmitter module. It can be equipped with on-site display. The temperature measurement range has a linear relationship with the output signal, enabling long-distance control. With relatively high measurement accuracy, it is widely used in temperature measurement and process control in industrial fields such as power, metallurgy, pharmaceuticals, and food.

VALUE TO CUSTOMERS

- All-stainless steel monolithic structure.
- Rapid temperature measurement with quick response

VALUE TO CUSTOMERS

Strong anti-interference capability and excellent long-term stability

POTENTIAL APPLICATIONS

- Compressor, natural gas
- power metallurgy
- Pharmaceuticals and Medical Products
- Light Industry and Textiles



WARNING

PERSONAL INJURY

DO NOT USE these products as safety or emergency stop devices or in any other application where failure of the product could result in personal injury. Failure to comply with these instructions could result in death or serious injury.

All potential use in

aerospace, medical, transportation, agriculture, refrigeration, and industrial applications. To view the entire product portfolio, click our company's website.

Website: www.stablesens.com

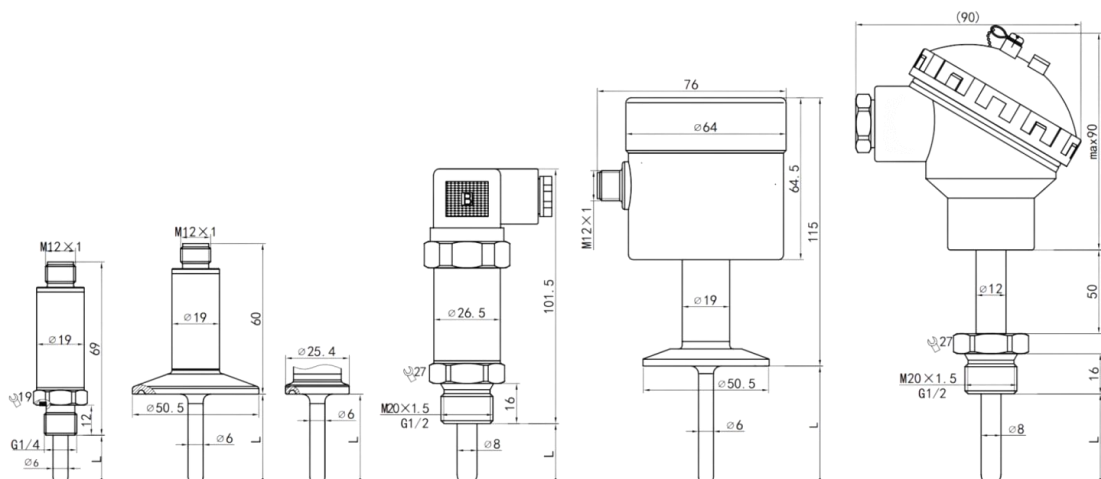
Mail: sales@stablefa.com

Tel: 86-10-56676110

PERFORMANCE SPECIFICATIONS

Temperature range	-40-200°C (Customizable)
Pressure Accuracy	± 0.5%FS、 ± 1.0%FS
Output	4-20mA、 0-10V、 RS485、 PT100、 PT1000
Excitation	9-30VDC、 24VDC
Thermal response time	≤ 30s
Probe diameter	Φ 8mm、 Φ 6mm (Customizable)
Probe length	30mm、 50mm、 100mm
Pressure port types	G1/4、 G1/2、 M20*1.5、 15-inch clamp
Electrical connector types	Hirschmann、 M12、 Cable harness(1 m, 2 m, 3 m, or 5 m)(Customizable)
Housing	304、 316L(Customizable)

ELECTRICAL CONNECTOR TYPE DIMENSIONS



Beijing Stablesens Technology Co., Ltd.

Room 1809, Building 61, No. 2 Jingyuan North Street, Beijing Economic-Technological Development Area, Beijing, China