

DESCRIPTION

The STB2401 series products are hygienic dedicated pressure transmitters featuring diffused silicon pressure cores as sensing elements and 316L stainless steel diaphragm isolation. These products boast a fully welded stainless steel structure, high precision, cavity-free corrugated flat diaphragm, wide measurement range, and on-site display capabilities. They are widely applied in hygienic industries such as food and pharmaceuticals, as well as for pressure measurement and control in fluids containing particulates.

VALUE TO CUSTOMERS

- Non-cavity corrugated flat film
- High reliability, Wide Operating Temperature
- Unparalleled Price and Performance

POTENTIAL APPLICATIONS

- Food and pharmaceutical equipment
- Pigments, spraying equipment
- Industrial OEM Equipment
- Chemical and papermaking industries
- Environmental Protection, Dust Engineering



WARNING

PERSONAL INJURY

DO NOT USE these products as safety or emergency stop devices or in any other application where failure of the product could result in personal injury.

Failure to comply with these instructions could result in death or serious injury.



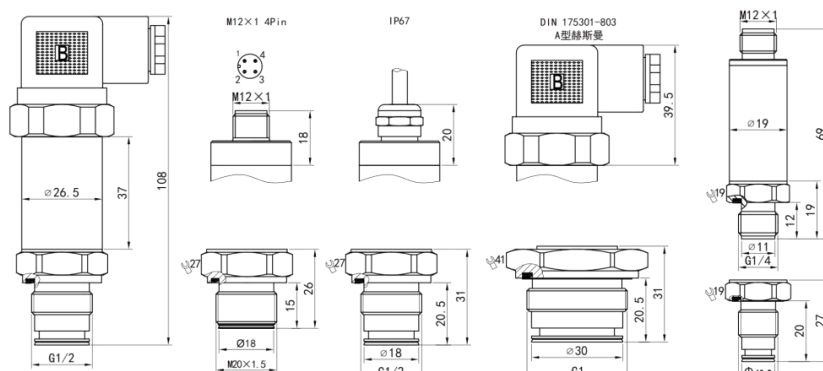
All potential use in

aerospace, medical, transportation, agriculture, refrigeration, and industrial applications. To view the entire product portfolio, click our company's website.

PERFORMANCE SPECIFICATIONS

Pressure range	-0.1-0-60MPa (Customizable)
Pressure Accuracy	±0.25%FS、±0.5%FS
Output	4-20mA、0/1-5/10V、0.5-4.5V、RS485
Excitation	5VDC、12VDC、24VDC
Load Resistance	Current type: $R=(\text{Supply Voltage}-8V)/0.02\Omega$
Compensated Temp. Range	0°C to 80°C (32°F to 176°F)
Operating Temp. Range	-40°C -100°C (-40°F to 212°F)
Proof pressure	150%
Burst pressure	200%
Temperature drift	±0.02%FS/°C
Long term stability	±0.2%FS/year
Pressure port types	G1/2、G1”、DN1.5” Crimp (Customizable)
Electrical connector types	Hirschmann、M12*1、Cable harness(1 m, 2 m, 3 m, or 5 m) (Customizable)
Housing	316L stainless steel

ELECTRICAL CONNECTOR TYPE DIMENSIONS



Beijing Stablesens Technology Co., Ltd.