

STB2600 Pressure Transmitter

DESCRIPTION

The STB2600 series differential pressure transmitters are constructed with diffused silicon differential pressure cores, featuring a fully stainless steel structure. The two pressure interfaces can be directly installed on measurement pipelines or connected via pressure lead pipes. Their compact design makes them ideal for applications in confined spaces such as equipment integration and mechanical manufacturing, as well as for complete system configurations. These transmitters are suitable for measuring pressure differentials across various gases and liquids.

VALUE TO CUSTOMERS

- High cost-performance
- Compact design

- High precision
- Optional on-site display
- Wide operating temperature range

POTENTIAL APPLICATIONS

- Flow measurement
- Filter monitoring
- Hydraulic and Pneumatic Systems
- Mechanical manufacturing



WARNING PERSONAL INJURY

DO NOT USE these products as safety or emergency stop devices or in any other application where failure of the product could result in personal injury.

Failure to comply with these instructions could result in death or serious injury.



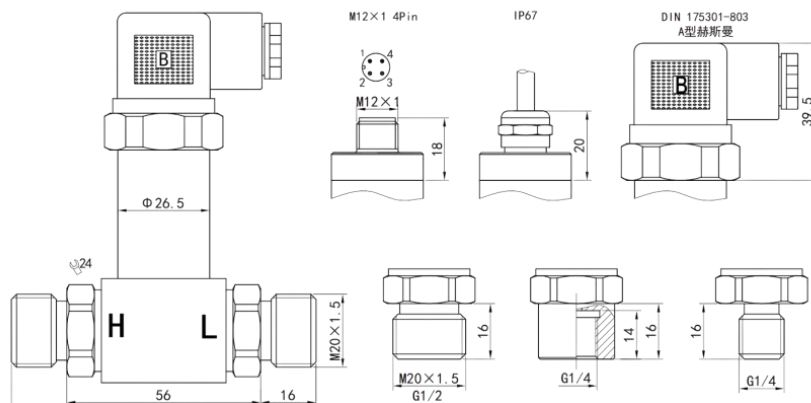
All potential use in

aerospace, medical, transportation, agriculture, refrigeration, and industrial applications. To view the entire product portfolio, click our company's website.

PERFORMANCE SPECIFICATIONS

Pressure range	0-100-10MPa (Customizable)		
Pressure Accuracy	± 0.25%FS、 ± 0.5%FS		
Output	4-20mA、 0-5V、 1-5V、 0-10V		
Excitation	24VDC、 9-30VDC		
Unidirectional static pressure	3 times (≤200KPa: 5 times)		
Bidirectional static Pressure	5 times (≤200KPa: 10 times)		
Load Resistance	Current type: $R = (\text{Supply Voltage} - 8V) / 0.02 \Omega$		
Compensated Temp. Range	0°C to 70°C (32°F to 167°F)		
Operating Temp. Range	-20°C -100°C (14°F to 185°F)		
Proof pressure	150%	Burst pressure	200%
Temperature drift	± 0.02%FS/°C		
Long term stability	± 0.2%FS/year		
Pressure port types	G1/4(F)、 G1/4、 G1/2、 M20*1.5 (Customizable)		
Electrical connector types	Hirschmann、 Cable harness(1 m, 2 m, 3 m, or 5 m) (Customizable)		
Housing	304、 316L		

ELECTRICAL CONNECTOR TYPE DIMENSIONS



Beijing Stablesens Technology Co., Ltd.

Website: www.stablesens.com

Mail: sales@stablefa.com

Tel: 86-10-56676110

Room 1809, Building 61, No. 2 Jingyuan North Street, Beijing Economic-Technological Development Area, Beijing, China