

STB2638 Wind Differential Pressure Transmitter

DESCRIPTION

The STB2638 differential pressure transmitter is assembled using a silicon piezoresistive differential pressure sensing element. The product has an overall aluminum alloy structure, with two pressure ports as Ø8 air tube fittings, which can be directly installed on the measurement pipeline or connected via pressure lead tubes. It is easy to install, compact, and lightweight, and is widely used in pressure measurement, process control, and automation in power and coal industries, such as boiler air supply and underground ventilation, as well as in ultra-clean factory environments.

VALUE TO CUSTOMERS

- Ø8 tracheal connector, easy to install

- High comprehensive precision
- Measuring minute gas differential pressure values
- Wide operating temperature range

POTENTIAL APPLICATIONS

- HVAC and cleanroom technology
- Filter technology, flow detection
- Boiler air supply, underground ventilation
- Pitot tube, flow plate



⚠ WARNING PERSONAL INJURY

DO NOT USE these products as safety or emergency stop devices or in any other application where failure of the product could result in personal injury.

Failure to comply with these instructions could result in death or serious injury.

👤 All potential use in

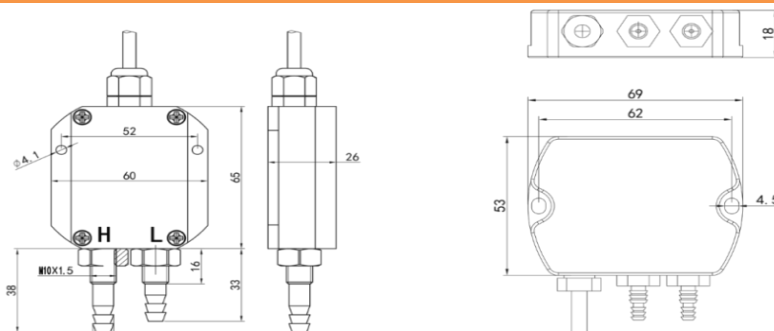
aerospace, medical, transportation, agriculture, refrigeration, and industrial applications. To view the entire product portfolio, click our company's website.

Website: www.stablesens.com

PERFORMANCE SPECIFICATIONS

Pressure range	0-100Pa-1KPa-200KPa (Customizable)
Pressure Accuracy	± 0.25%FS、 ± 0.5%FS、 ± 1.0%FS
Output	4-20mA、 0-5V、 1-5V、 0-10V、 RS485
Excitation	24VDC、 9-30VDC
Load Resistance	Current type: $R = (\text{Supply Voltage} - 8V) / 0.02 \Omega$
Compensated Temp. Range	0-85°C
Operating Temp. Range	-20-100°C
Proof pressure	150%
Burst pressure	200%
Temperature drift	± 0.02%FS/°C
Long term stability	± 0.2%FS/year
Pressure port types	Ø8 tracheal connector
Electrical connector types	Direct Lead Wire
Housing	Aluminum, ceramic

ELECTRICAL CONNECTOR TYPE DIMENSIONS



Beijing Stablesens Technology Co., Ltd.

Website: www.stablesens.com

Mail: sales@stablefa.com

Tel: 86-10-56676110

Room 1809, Building 61, No. 2 Jingyuan North Street, Beijing Economic-Technological Development Area, Beijing, China