

STB3530 Insertable Level Transmitter

DESCRIPTION

The STB3530 series products feature a fully stainless steel structure and are suitable for measuring various liquid media compatible with stainless steel materials. Based on the principle that different liquids of varying specific gravities generate pressure in a linear relationship with their height, they accurately measure and transmit the liquid level heights of water and oil. They are widely applied in industries such as power, petroleum, chemical engineering, metallurgy, water conservancy, and tap water.

VALUE TO CUSTOMERS

- Blockage-resistant and high-temperature resistant design
- Displayable on-site
- Corrosion-resistant,

- Threaded and flange installation with insert type
- Moisture-proof
- Leak-proof properties

POTENTIAL APPLICATIONS

- Urban water supply, groundwater
- Fire water tower, fuel tank
- Petrochemical engineering
- Petrochemical industry
- Level Monitoring of Open Irrigation Systems



! WARNING PERSONAL INJURY

DO NOT USE these products as safety or emergency stop devices or in any other application where failure of the product could result in personal injury.

Failure to comply with these instructions could result in death or serious injury.

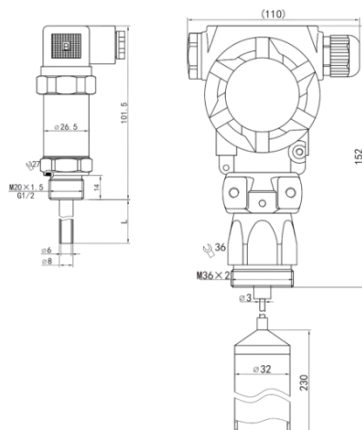
All potential use in

aerospace, medical, transportation, agriculture, refrigeration, and industrial applications. To view the entire product portfolio, click our company's website.

PERFORMANCE SPECIFICATIONS

| | | | |
|----------------------------|--|-----------------------|----------|
| Pressure range | 0-5m-200mH2O (Customizable) | | |
| Pressure Accuracy | ± 0.25%FS、 ± 0.5%FS | | |
| Output | 4-20mA、 0/1-5/10V、 0.5-4.5V | | |
| Excitation | 5VDC、 24VDC、 9-30VDC | | |
| Load Resistance | Current type: $R=(\text{Supply Voltage}-8V)/0.02 \Omega$ | | |
| Compensated Temp. Range | 0-75°C | Operating Temp. Range | -10-85°C |
| Proof pressure | 150% | | |
| Burst pressure | 200% | | |
| Temperature drift | ± 0.02%FS/°C | | |
| Long term stability | ± 0.2%FS/year | | |
| Pressure port types | Thread connection, flange connection | | |
| Electrical connector types | Direct connection; 2088 junction box, Hirschmann | | |
| Housing | 304/316 stainless steel | | |

ELECTRICAL CONNECTOR TYPE DIMENSIONS



Beijing Stablesens Technology Co., Ltd.

Website: www.stablesens.com

Mail: sales@stablefa.com

Tel: 86-10-56676110

Address: Room 1809, Building 61, No. 2 Jingyuan North Street, Beijing

Economic-Technological Development Area, Beijing, China