

STB8300 Explosion-Proof Pressure Transmitter

DESCRIPTION

The STB8300 series explosion-proof pressure transmitters are fully isolated intelligent field measurement instruments designed using fully isolated circuit technology and compatible with the HART communication protocol. Utilizing advanced piezoresistive silicon wafer sensor manufacturing technology, they convert sensor signals into standardized output signals, demonstrating stable and reliable performance even after prolonged aging. These transmitters are ideal for outdoor applications in harsh environments, requiring real-time pressure monitoring capabilities. They are widely used in process control and pressure measurement across industries such as petroleum, chemical, metallurgy, power generation, light industry, textiles, and environmental control systems.

VALUE TO CUSTOMERS

- Made of aluminum alloy.
- Intrinsic explosion-proof design
- Multiple signal outputs with high cost-effectiveness
- LCD or LED digital displays
- High overall accuracy
- Good long-term stability
- Vibration-resistant, suitable for all-weather outdoor use

POTENTIAL APPLICATIONS

- Boiler pipeline
- Water Resources and Hydropower
- Electric Power
- petrochemical engineering
- petrochemical industry
- Food and pharmaceutical industries
- Hydraulic measurement
- Building Automation



All potential use in

aerospace, medical, transportation, agriculture, refrigeration, and industrial applications. To view the entire product portfolio, click our company's website.

Website: www.stablesens.com

Mail: sales@stablefa.com

WARNING PERSONAL INJURY

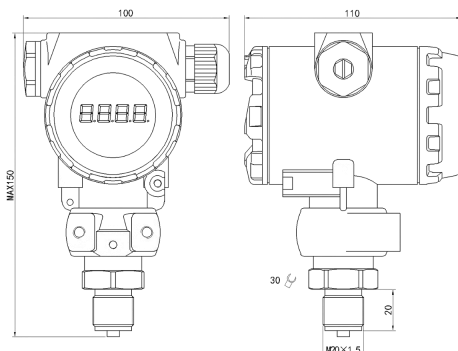
DO NOT USE these products as safety or emergency stop devices or in any other application where failure of the product could result in personal injury.

Failure to comply with these instructions could result in death or serious injury.

PERFORMANCE SPECIFICATIONS

Pressure range	-0.1-60MPa (Customizable)		
Pressure Accuracy	± 0.25%FS、 ± 0.5%FS		
Output	4-20mA、RS485、HART		
Excitation	24VDC		
Load Resistance	Current type: $R=(\text{Supply Voltage}-8V)/0.02\Omega$		
Compensated Temp. Range	0-75°C		
Operating Temp. Range	-20-100°C		
Proof pressure	150%	Burst pressure	200%
Temperature drift	± 0.02%FS/°C	Long term stability	± 0.2%FS/year
Pressure port types	G1/2、1/2NPT、M20*1.5 (Customizable)		
Electrical connector types	2088 Junction Box		
Liquid-contact material	304、316L stainless steel (Customizable)		

ELECTRICAL CONNECTOR TYPE DIMENSIONS



Beijing Stablesens Technology Co., Ltd.

Website: www.stablesens.com

Mail: sales@stablefa.com

Tel: 86-10-56676110

Address: Room 1809, Building 61, No. 2 Jingyuan North

Street, Beijing Economic-Technological Development

Area, Beijing, China