



# STB8330 Compact Explosion-Proof Pressure Transmitter

## DESCRIPTION

The STB8330 series explosion-proof pressure transmitters are intelligent field measurement products designed using fully isolated circuit technology. Incorporating advanced piezoresistive silicon wafer sensor manufacturing techniques, they convert sensor signals into standardized output signals. Featuring a fully stainless steel construction, the products demonstrate stable and reliable performance after prolonged aging. Designed for harsh operating environments, they enable real-time pressure monitoring and are suitable for process control and pressure measurement in industries such as petroleum, chemical, metallurgy, power generation, light industry, textiles, and environmental control.

## VALUE TO CUSTOMERS

- Good long-term stability
- Fully stainless steel structure
- Multiple signal outputs with high cost-effectiveness
- Vibration-resistant, waterproof, suitable for outdoor use
- Compact and sturdy design with easy installation
- High overall precision
- Intrinsic explosion-proof design

## POTENTIAL APPLICATIONS

- Boiler pipeline
- Water Resources and Hydropower、Electric Power
- petrochemical engineering、petrochemical industry
- Food and pharmaceutical industries
- Hydraulic measurement,
- Building Automation



## All potential use in

aerospace, medical, transportation, agriculture, refrigeration, and industrial applications. To view the entire product portfolio, click our company's website.

Website: [www.stablesens.com](http://www.stablesens.com)

## WARNING PERSONAL INJURY

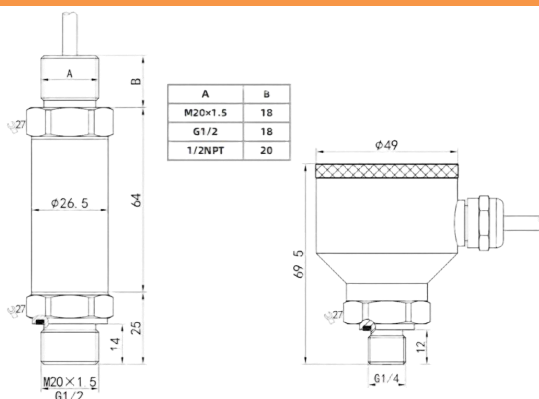
DO NOT USE these products as safety or emergency stop devices or in any other application where failure of the product could result in personal injury.

**Failure to comply with these instructions could result in death or serious injury.**

## PERFORMANCE SPECIFICATIONS

Pressure range	-0.1-0-60MPa ( Customizable )		
Pressure Accuracy	0.1%FS、0.25%FS、0.5%FS		
Output	4-20mA、0/1-5/10V、0.5-4.5V、RS485		
Excitation	24VDC		
Load Resistance	Current type: $R = (\text{Supply Voltage} - 8V) / 0.02 \Omega$		
Compensated Temp. Range	0-75°C	Operating Temp. Range	-20-100°C
Proof pressure	150%	Burst pressure	200%
Temperature drift	$\pm 0.02\%FS/^\circ C$	Long term stability	$\pm 0.2\%FS/\text{year}$
Pressure port types	G1/4、1/4NPT、R1/4、G1/8、G1/2、M20*1.5 ( Customizable )		
Electrical connector types	Waterproof cable outlet		
Liquid-contact material	304、316L stainless steel		

## ELECTRICAL CONNECTOR TYPE DIMENSIONS



## Beijing Stablesens Technology Co., Ltd.

Website: [www.stablesens.com](http://www.stablesens.com)

Mail: [sales@stablefa.com](mailto:sales@stablefa.com)

Tel: 86-10-56676110

Address: Room 1809, Building 61, No. 2 Jingyuan North

Street, Beijing Economic-Technological Development

Area, Beijing, China