



STB8700 High-Temperature Sanitary Explosion-Proof Pressure Transmitter

DESCRIPTION

The STB8700 medium-to-high-temperature sanitary explosion-proof pressure transmitter is a high-precision, highly stable device engineered with advanced compensation technology. Featuring standardized analog and digital signal outputs, adjustable zero and full-scale settings, a wide measurement range, high-temperature resistance, and an optional all-stainless steel construction, it is widely used for fluid and steam pressure measurement and control in environments involving high-temperature viscous fluids or particulate substances.

VALUE TO CUSTOMERS

- No-cavity corrugated flat film
- Wide measurement range

- High reliability
- Optional on-site display

POTENTIAL APPLICATIONS

- Food and pharmaceutical equipment
- Pigments, spraying equipment
- Chemical and papermaking industries
- Environmental Protection and Dust Control Engineering
- Hydraulic and Pneumatic Systems



PERSONAL INJURY

DO NOT USE these products as safety or emergency stop devices or in any other application where failure of the product could result in personal injury. Failure to comply with these instructions could result in death or serious injury.

All potential use in

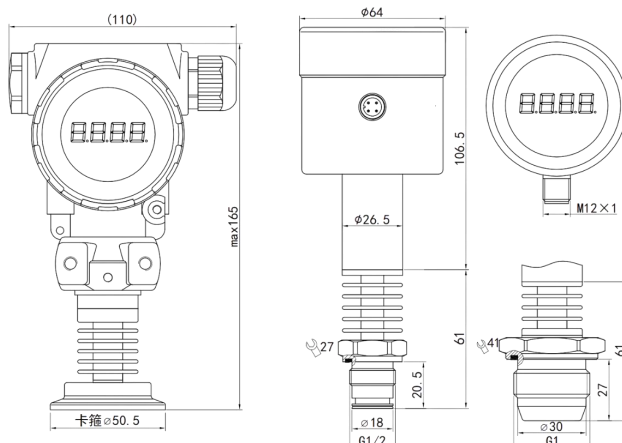
aerospace, medical, transportation, agriculture, refrigeration, and industrial applications. To view the entire product portfolio, click our company's website.

Website: www.stablesens.com

PERFORMANCE SPECIFICATIONS

Range	0-60MPa (Customizable)		
Pressure Accuracy	± 0.25%FS、 ± 0.5%FS		
Output	4-20mA、 RS485、 HART		
Excitation	24VDC		
Load Resistance	Current type: $R = (\text{Supply Voltage} - 8V) / 0.02 \Omega$		
Compensated Temp. Range	0-80°C	Operating Temp. Range	-40-150°C
Proof pressure	150%	Burst pressure	200%
Temperature drift	± 0.02%FS/°C	Long term stability	± 0.2%FS/年
Pressure port types	G1/2、 G1" 、 DN1.5" clamp(Customizable)		
Electrical connector types	2088 junction box 、 M12*1		
Housing	Stainless steel 316L		

ELECTRICAL CONNECTOR TYPE DIMENSIONS



Beijing Stablesens Technology Co., Ltd.

Website: www.stablesens.com

Mail: sales@stablefa.com

Tel: 86-10-56676110

Address: Room 1809, Building 61, No. 2 Jingyuan North Street, Beijing Economic-Technological Development Area, Beijing, China